









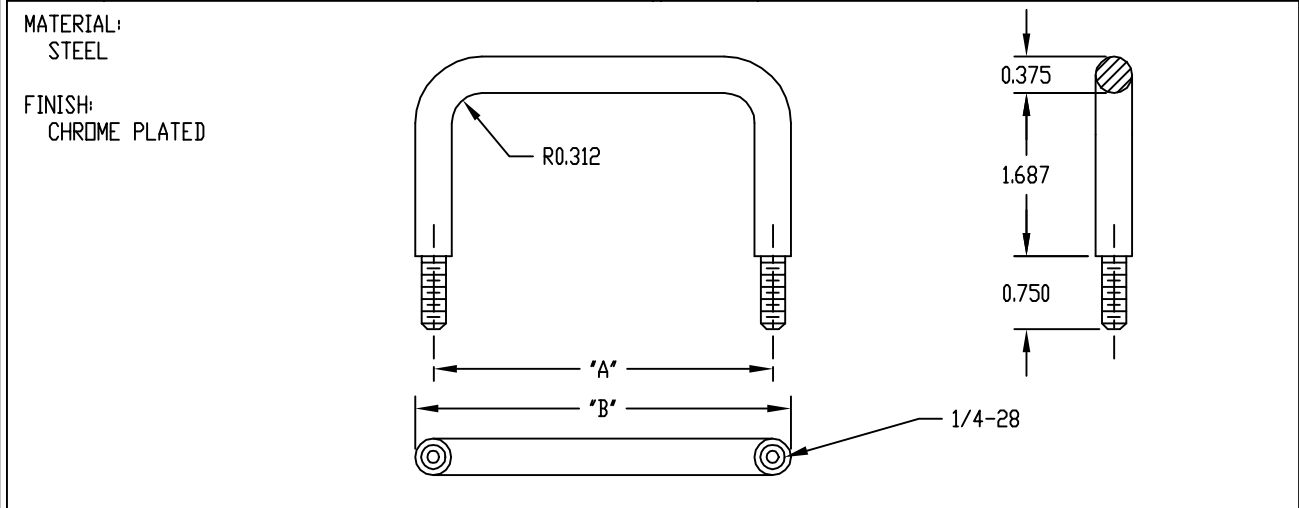


HANDLES

Catalog No.	Picture	Material	Finish	Mounting Centers	Hand Clearance	Hardware	Drawings
H-9110-B (Angled Legs)		Steel 0.37" dia.	Chrome Plated	6.00"	1.25"	(2) 10-32 x 0.37" Screws	PDF DXF
H-9111-B		Steel 0.37" dia.	Chrome Plated	4.00"	.93"	(2) 10-32 x 0.37" Screws	PDF DXF
H-9112-B		Steel 0.37" dia.	Chrome Plated	6.00"	.93"	(2) 10-32 x 0.37" Screws	PDF DXF
H-9113-B		Steel 0.37" dia.	Chrome Plated	8.00"	.93"	(2) 10-32 x 0.37" Screws	PDF DXF
H-9114-B		Steel 0.50" dia.	Chrome Plated	8.00"	1.50"	(2) 1/4"-28 x 0.50" Screws	PDF DXF
H-9116-B		Steel 0.37" dia.	Chrome Plated	6.00"	.93"	(2) 1/4"-28 Hex Nuts	PDF DXF
H-9160-B		Steel 0.37" dia.	Chrome Plated	3.50"	1.68"	(2) 1/4"-28 Hex Nuts	PDF DXF

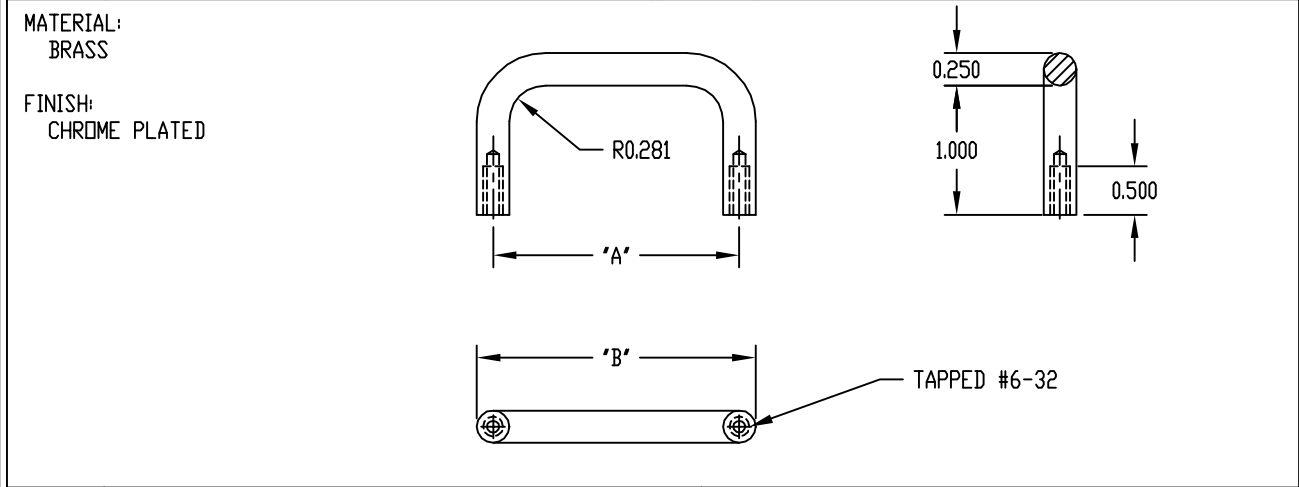
H-9161-B		Steel 0.37" dia.	Chrome Plated	5.25"	1.68"	(2) 1/4"-28 Hex Nuts	PDF DXF
H-9166-B		Brass 0.25" dia.	Chrome Plated	1.90"	1.00"	(2) 6-32 x 0.50" Screws	PDF DXF
H-9168-B		Brass 0.25" dia.	Chrome Plated	3.00"	1.00"	(2) 6-32 x 0.50" Screws	PDF DXF
H-9170-B		Aluminum	Clear Anodized	2.75"	1.18"	(2) 8-32 x 0.62" Screws	PDF DXF
H-9174-B		Aluminum	Clear Anodized	4.00"	1.09"	(2) 8-32 x 0.37" Screws	PDF DXF
H-9176-B		Aluminum	Clear Anodized	3.25"	0.75"	(2) 8-32 x 0.37" Screws	PDF DXF
H-9177-B		Aluminum	Clear Anodized	4.37"	0.75"	(2) 8-32 x 0.37" Screws	PDF DXF
H-9179-B		Aluminum	Clear Anodized	4.00"	0.62"	(2) 8-32 x 0.37" Screws	PDF DXF
H-9180-B		Aluminum	Clear Anodized	4.00"	-	(2) 8-32 x 0.25" Screws	PDF DXF
H-9183-B		Aluminum	Clear Anodized	4.56"	1.09"	(2) 8-32 x 0.37" Screws	PDF DXF

PART NAME	HANDLE	PART No.	H-9160 THRU H-9165
-----------	--------	----------	--------------------



PART No.	'A'	'B'
H-9160	3.500	3.875
H-9161	5.250	5.625
H-9162	7.000	7.375
H-9163	8.750	9.125
H-9164	10.500	10.875
H-9165	12.250	12.625

PART NAME	HANDLE	PART No.	H-9166 AND H-9168
-----------	--------	----------	-------------------



PART No.	'A'	'B'
H-9166	1.906	2.156
H-9168	3.000	3.250

PART NAME	HANDLE	PART No.	H-9110
-----------	--------	----------	--------

